

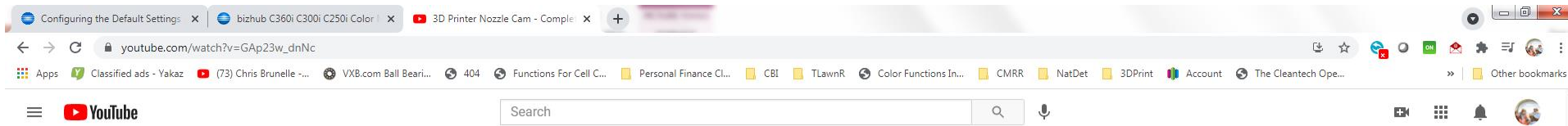


# Ender Club NozzleCAM

June 2021



## INSPIRATION:



3D Printer Nozzle Cam - Complete How To using endoscope!

53,714 views • Jan 31, 2021

2.6K 20 SHARE SAVE

- All** 3D printing Tools Robot Related
- Octoprint multicam endoscope guide - Macro nozzle vision**  
Teaching Tech  
38K views • 1 year ago  
17:35
- 3D Printer Nozzle Camera V2 - Voron mods update**  
chilicoke  
15K views • 4 months ago  
39:52
- MINI LATHE**  
CNC Kitchen  
293K views • 11 months ago  
0.4mm DRILL 16:14
- NOZZLE CAM**  
YouTube  
COMPLETE HOW TO
- 3D Printer Nozzle Cam V2, IT'S ALIVE! Voron 2.85mm Orbiter...**  
chilicoke  
18K views • 4 months ago  
IT'S AL 59:17
- Want Smoother Prints? Start Using the SPT**  
Makers Mashup  
176K views • 4 months ago  
14:54
- 3D Printer custom nozzle cam test**  
chilicoke  
243K views • 5 months ago  
8:16
- U.S. ARMY LAND TRAINS**  
MotorHeads  
398K views • 3 weeks ago  
9:40



## There's Got to be a better way...

Shop by category 
 All Categories 
 Advanced

[Back to previous page](#) | Listed in category: [Health & Beauty](#) > [Health Care](#) > [Other Health Care Supplies](#)

[Add to Watchlist](#)



**SAVE UP TO 5%** [See all eligible items and terms](#)



**WiFi Otoscope Ear Camera Inspection Camera Wax Removal Tool For iPhone android**

Condition: **New with box**

Sale ends in: 07d 07h 18m

Quantity:  10 available

Price: **US \$22.79**  
~~US \$23.99~~ **Save 5%**

Best Offer:

**Free shipping**

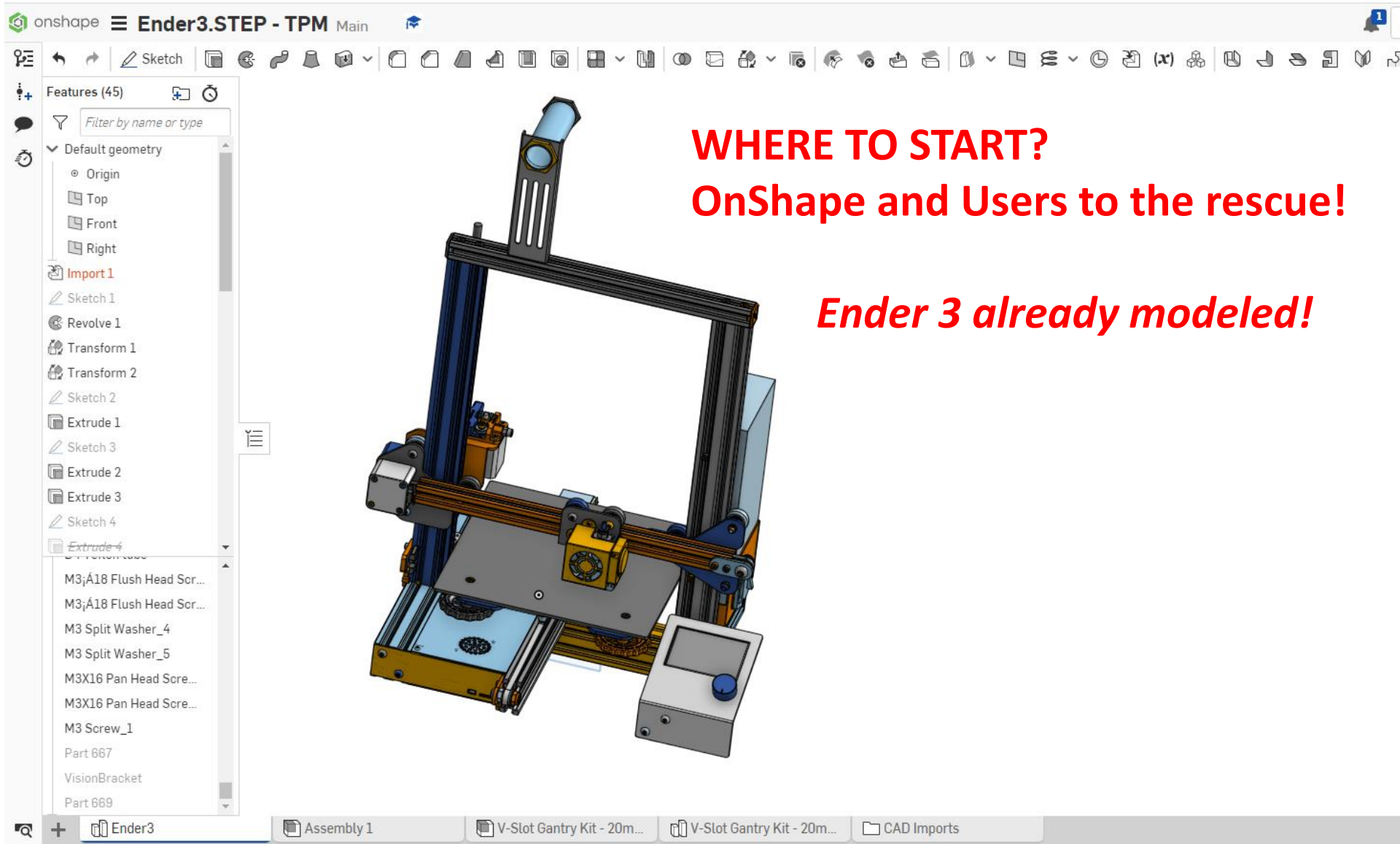
**Pay only \$17.79** [\[Show me how\]](#)

Shipping: **FREE** Standard SpeedPA  
 International shipment of items r  
 Item location: ShenZhen, China

Shop with confidence

eBay Money Back Guarantee  
 Get the item you ordered or get your money back. [Learn more](#)

- **Wireless**
- **Self contained light**
- **Self-powered**
- **Appropriate focal length**

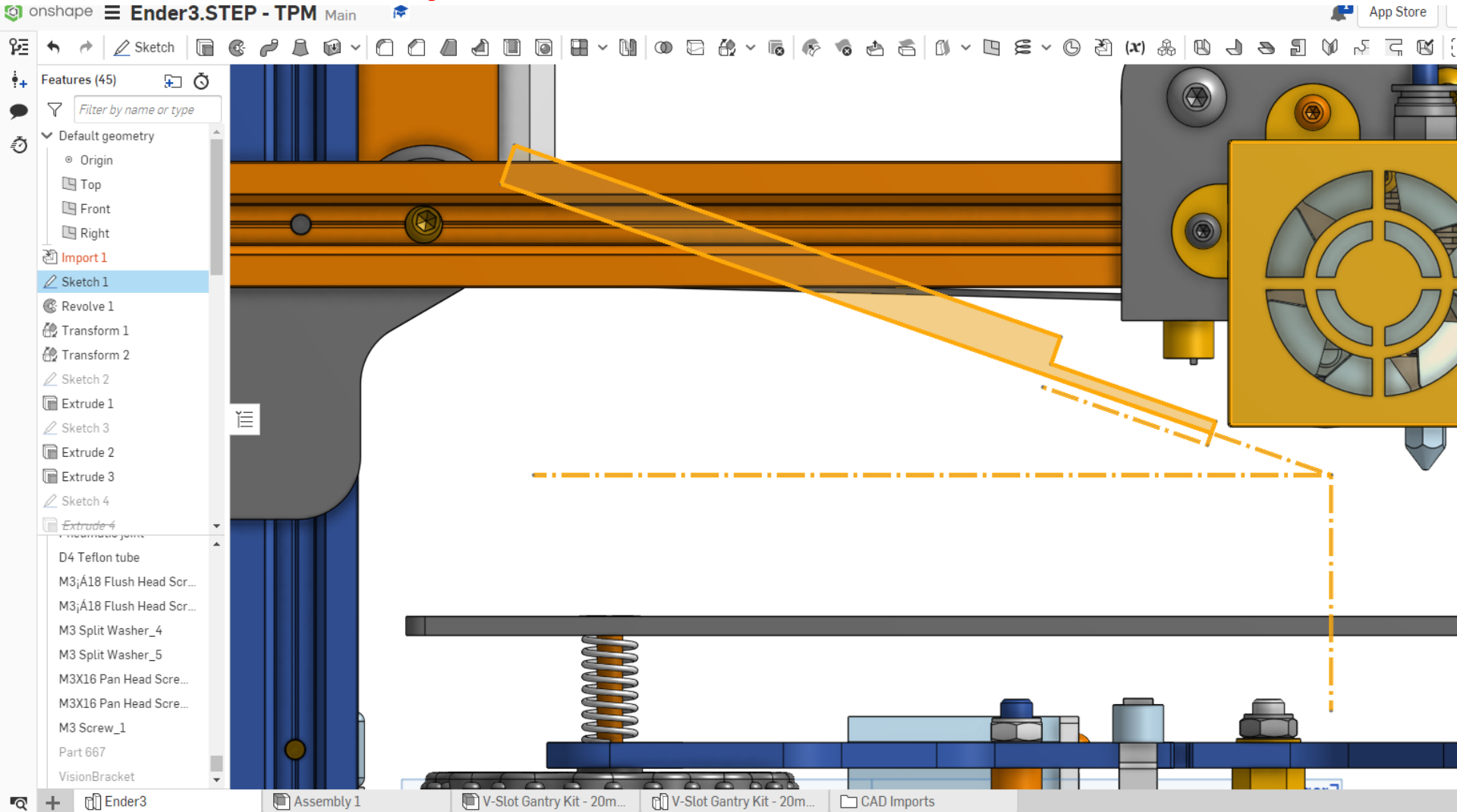


**WHERE TO START?**  
**OnShape and Users to the rescue!**

***Ender 3 already modeled!***

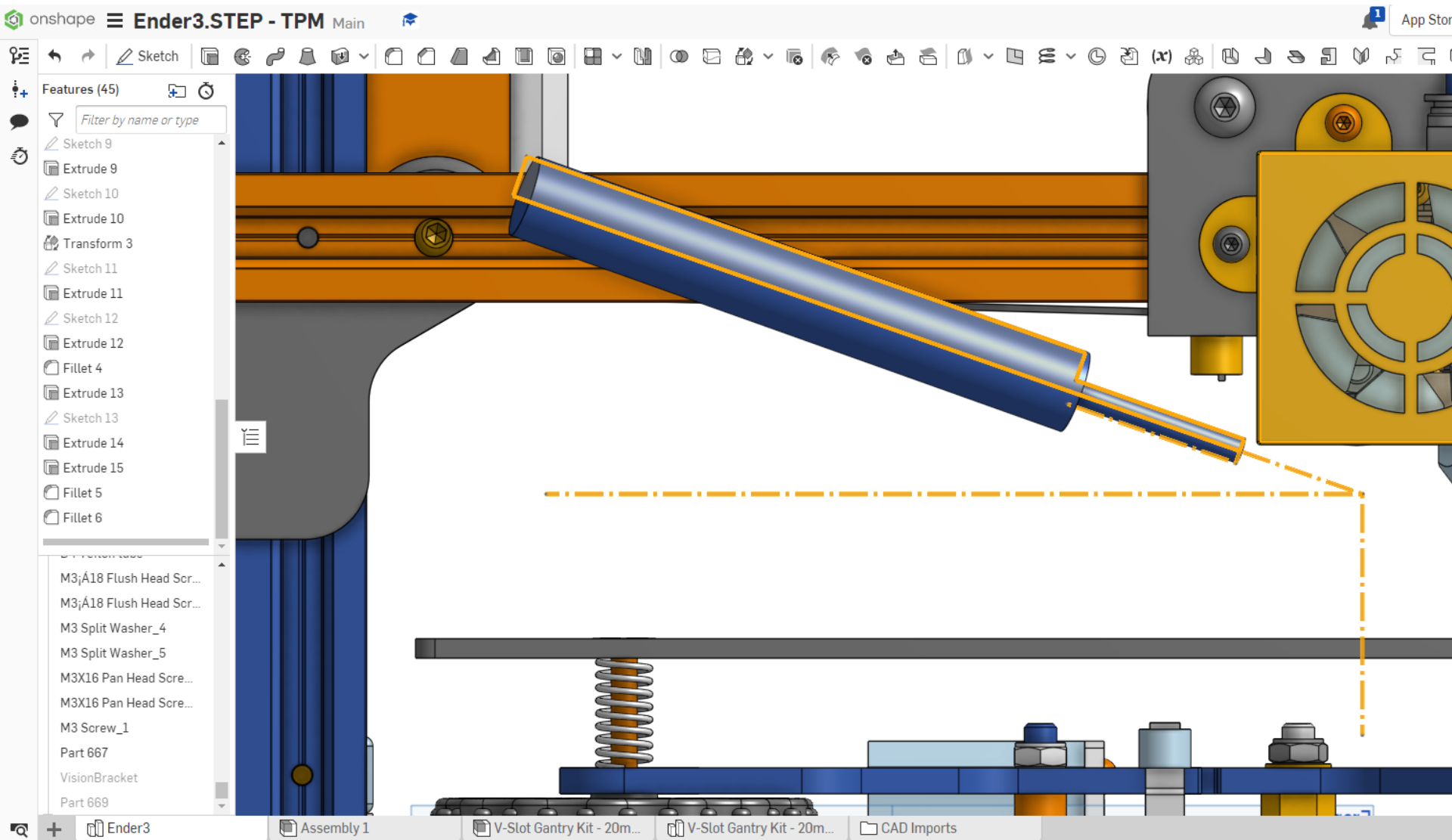


## Layout WEBCAM and Aim, clearance



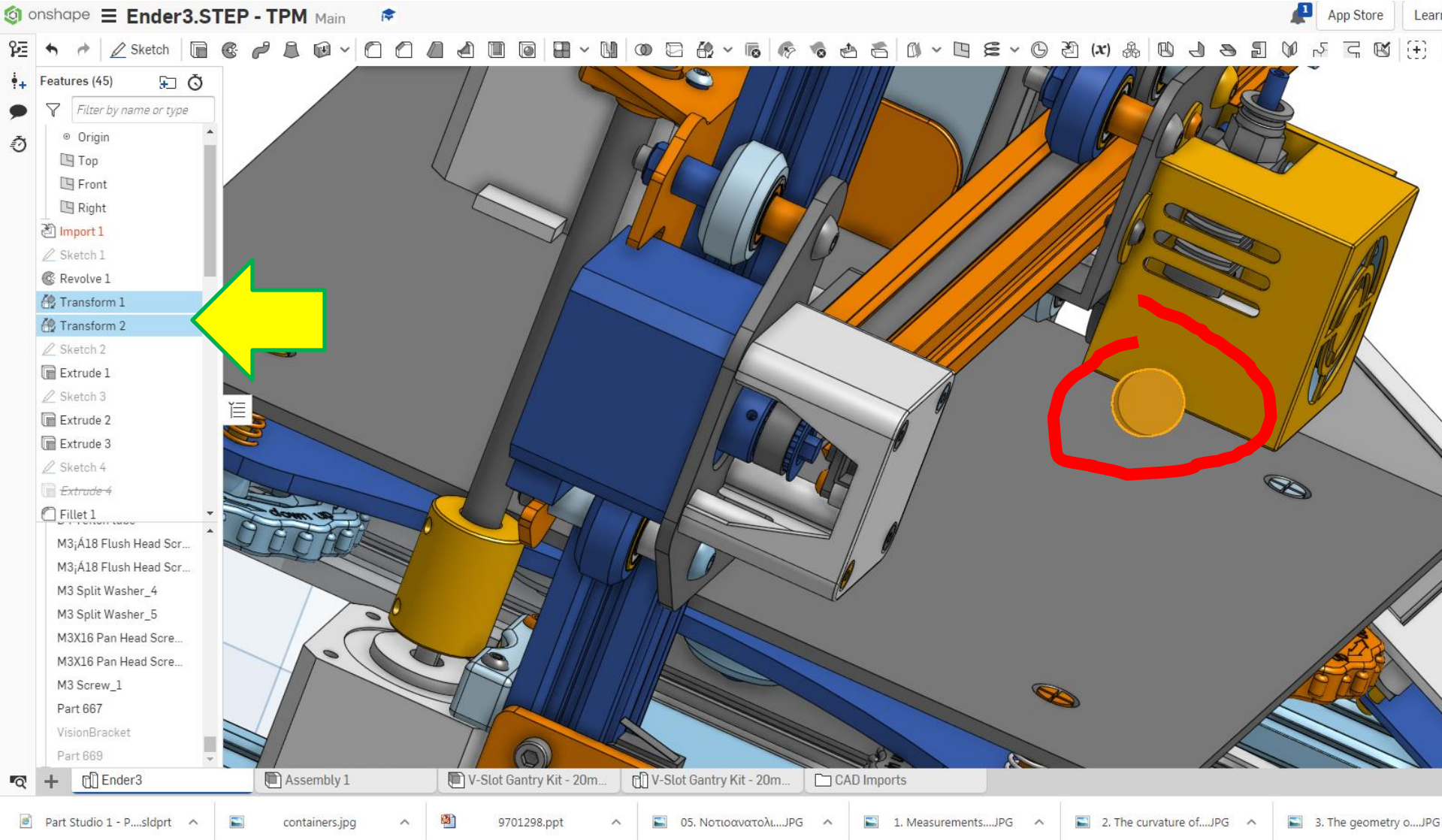


## Revolve WEBCAM





## ReAIM WEBCAM as a solid using Transforms



The screenshot displays the Onshape CAD environment for a 3D model of a printer's extruder assembly. The interface includes a top toolbar with various tools, a left-hand 'Features' tree, and a central 3D view area. The 'Features' tree is expanded to show a list of features, with 'Transform 1' and 'Transform 2' highlighted in blue. A yellow arrow points to 'Transform 2'. The 3D view shows a complex assembly of parts in blue, orange, and grey. A red circle highlights a circular feature on the extruder body. The bottom of the screen shows the Windows taskbar with several open applications, including 'Part Studio 1 - P...sldprt', 'containers.jpg', '9701298.ppt', '05. Νοτιοανατολι...JPG', '1. Measurements...JPG', '2. The curvature of...JPG', and '3. The geometry o...JPG'.

onshape Ender3.STEP - TPM Main

App Store Learn

Sketch

Features (45)

Filter by name or type

- Origin
- Top
- Front
- Right
- Import 1
- Sketch 1
- Revolve 1
- Transform 1
- Transform 2
- Sketch 2
- Extrude 1
- Sketch 3
- Extrude 2
- Extrude 3
- Sketch 4
- Extrude 4
- Fillet 1

M3;A18 Flush Head Scr...  
M3;A18 Flush Head Scr...  
M3 Split Washer\_4  
M3 Split Washer\_5  
M3X16 Pan Head Sore...  
M3X16 Pan Head Sore...  
M3 Screw\_1  
Part 667  
VisionBracket  
Part 669

Ender3 Assembly 1 V-Slot Gantry Kit - 20m... V-Slot Gantry Kit - 20m... CAD Imports

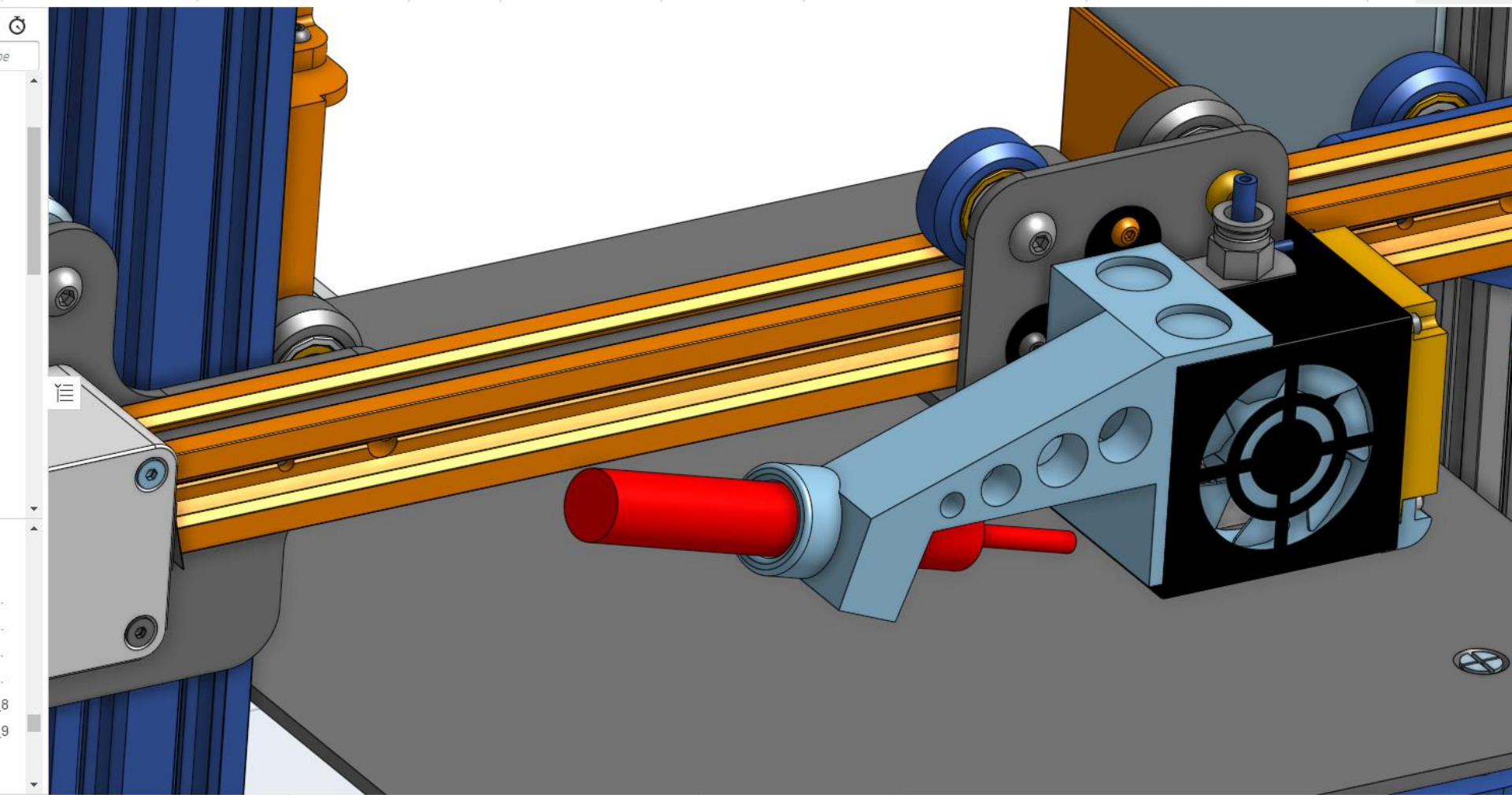
Part Studio 1 - P...sldprt containers.jpg 9701298.ppt 05. Νοτιοανατολι...JPG 1. Measurements...JPG 2. The curvature of...JPG 3. The geometry o...JPG



## Develop Bracket

3.STEP - TPM Main

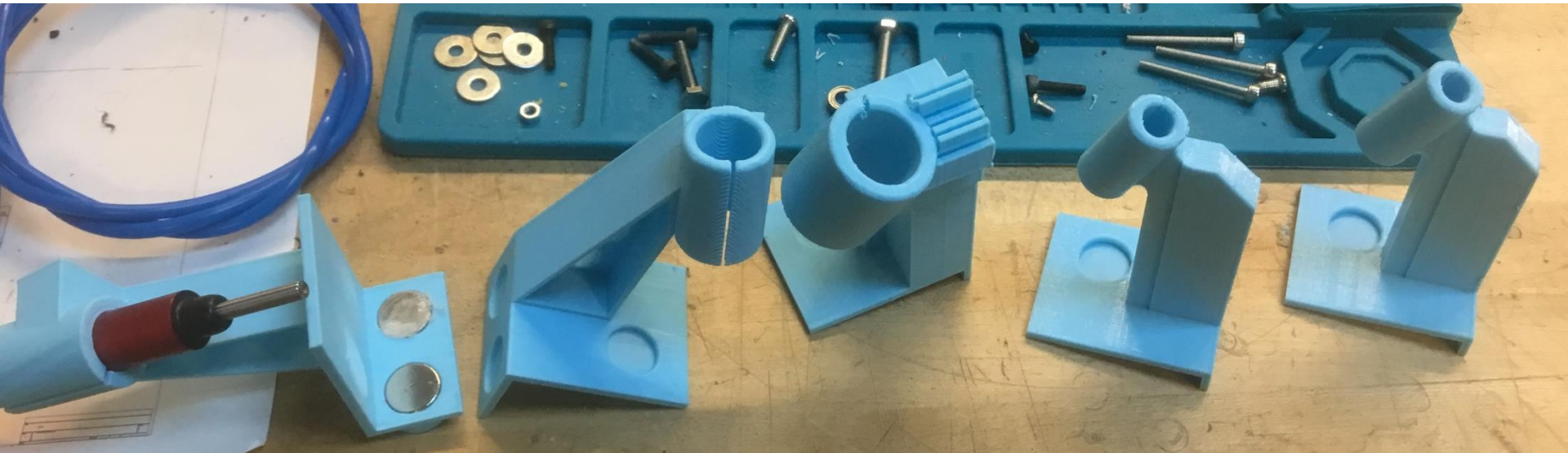
App Store Learning Center







## A Few Iterations





## Add Magnet receptacles

3.STEP - TPM Main

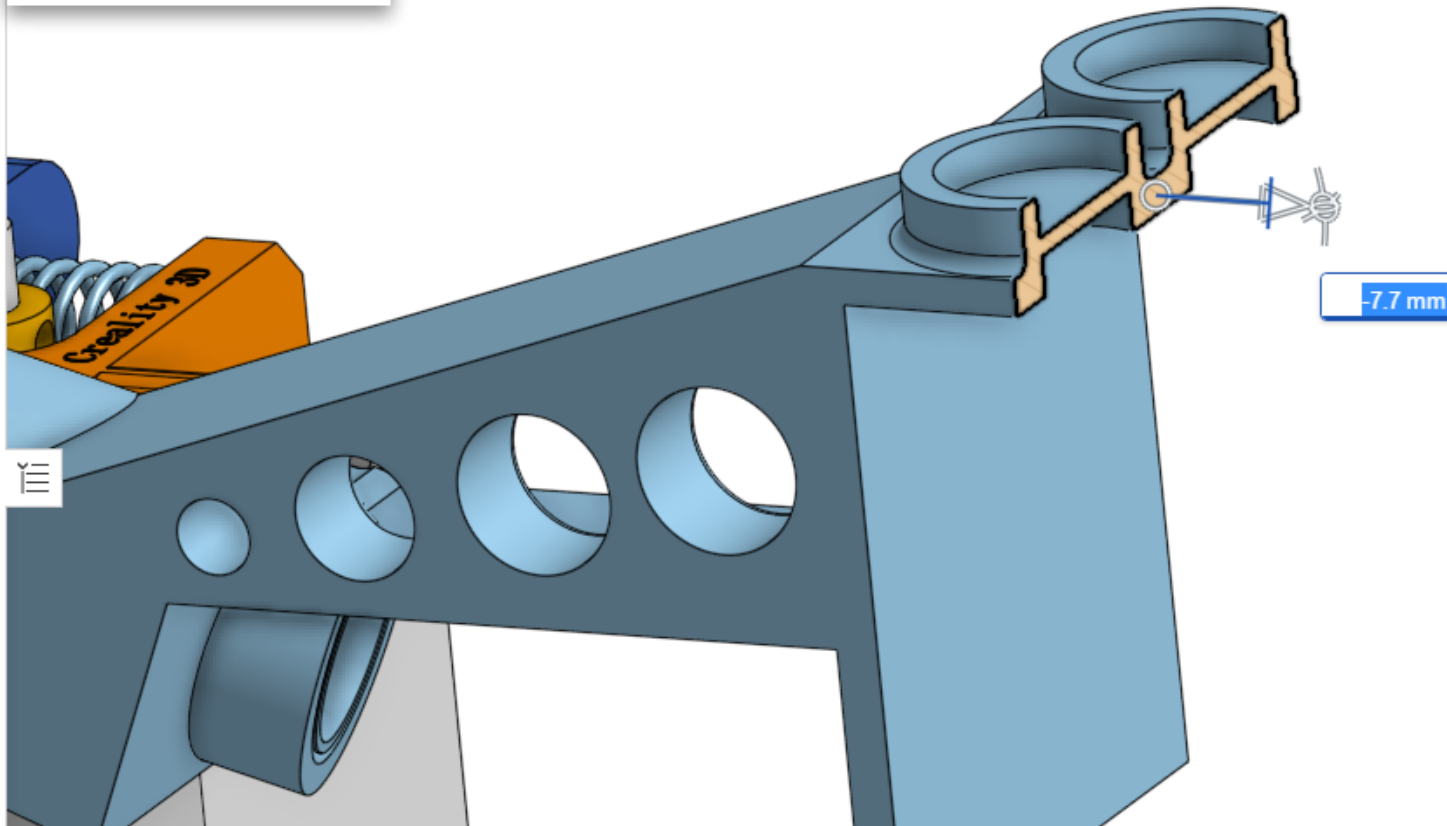


Section view



Section planes

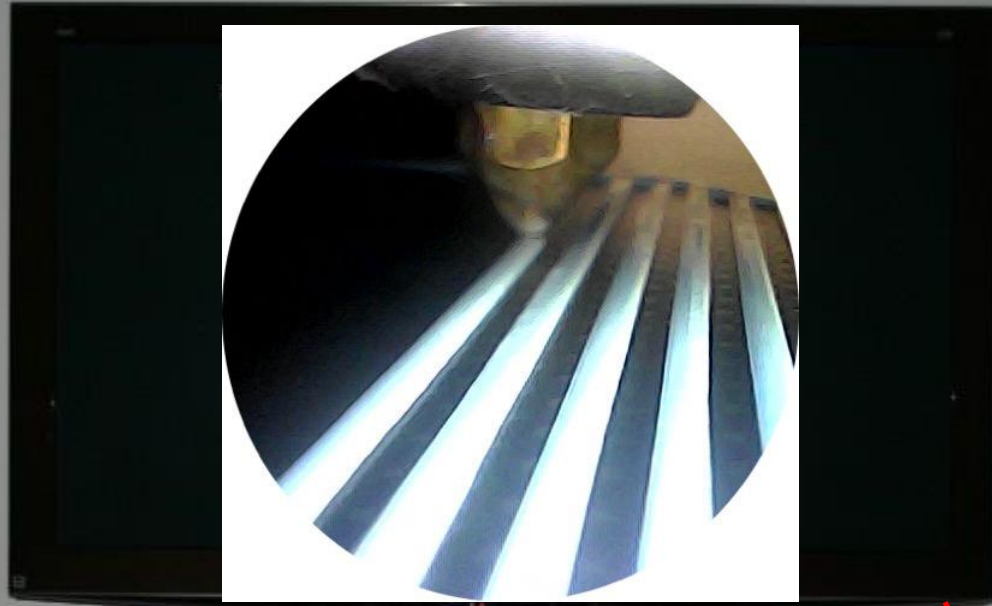
Section plane 1



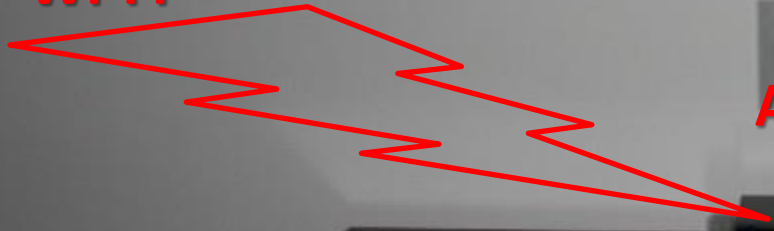


**BLOCK DIA**

# NozzleCAM Clinic



**WI-FI**



**APP on iPad**

**HDMI**





**RESULT:**

**WEBCAM has it's own light.**

**Battery lasts about an hour.**

