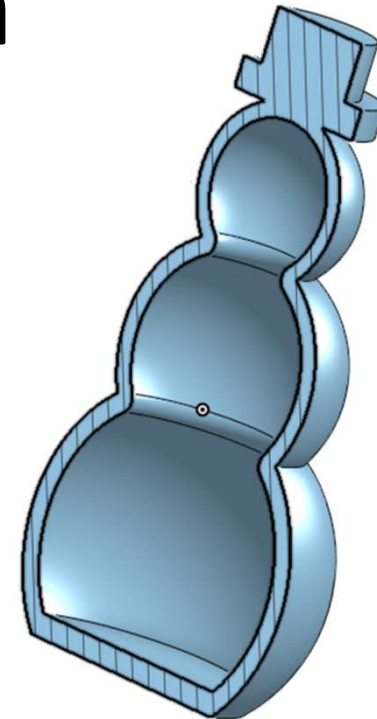
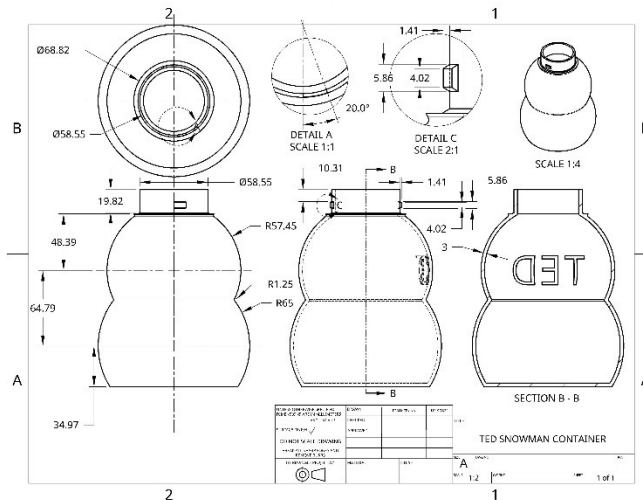
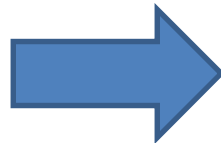




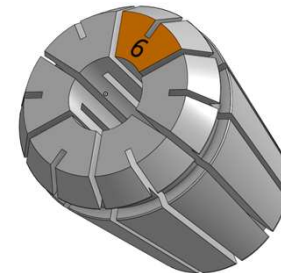
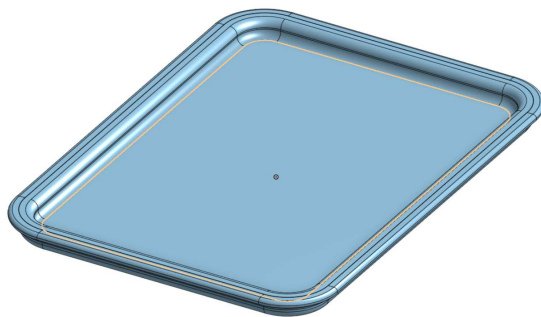
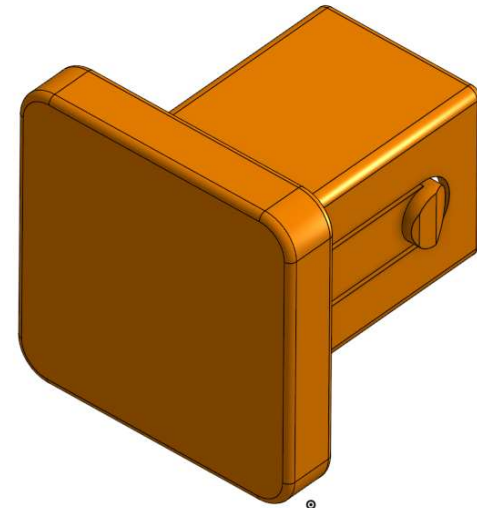
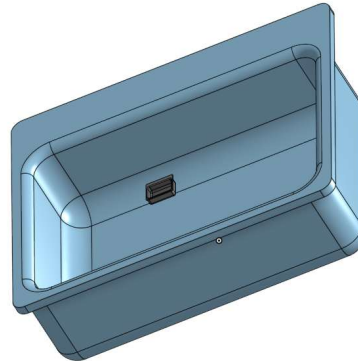
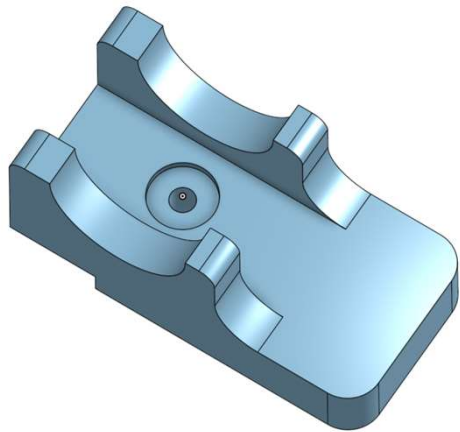
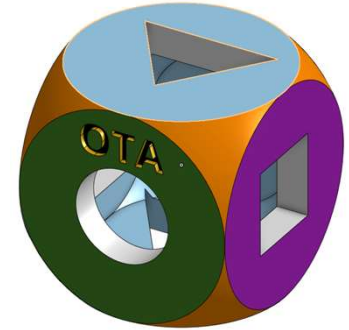
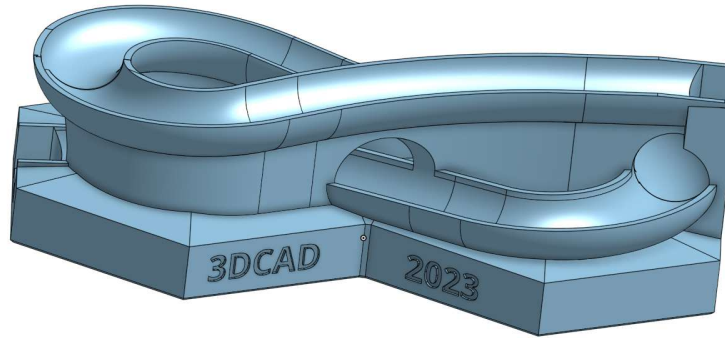
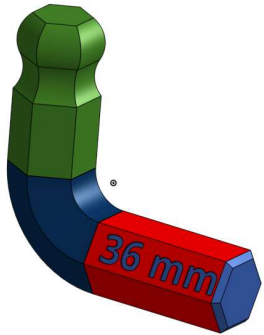
1. TIO Samples
2. ERS worksheet
3. ERS demonstration
4. TedMan Demonstration
5. Drawing Capability





Onshape – TIO samples

November 2024





Onshape - ERS

onshape **ERS samples** Main

Features (19)

- Filter by name or type
- Sketch 1
- Extrude 1
- Revolve 1
- Sketch 2
- Sweep 1
- Sketch 3
- Extrude 2
- Sketch 4
- Extrude 3
- Sketch 5
- Extrude 4
- Sketch 6
- Transform 1
- Transform 2
- Transform 3
- Parts (3)
 - Part 1
 - Part 2
 - Part 3

E _____

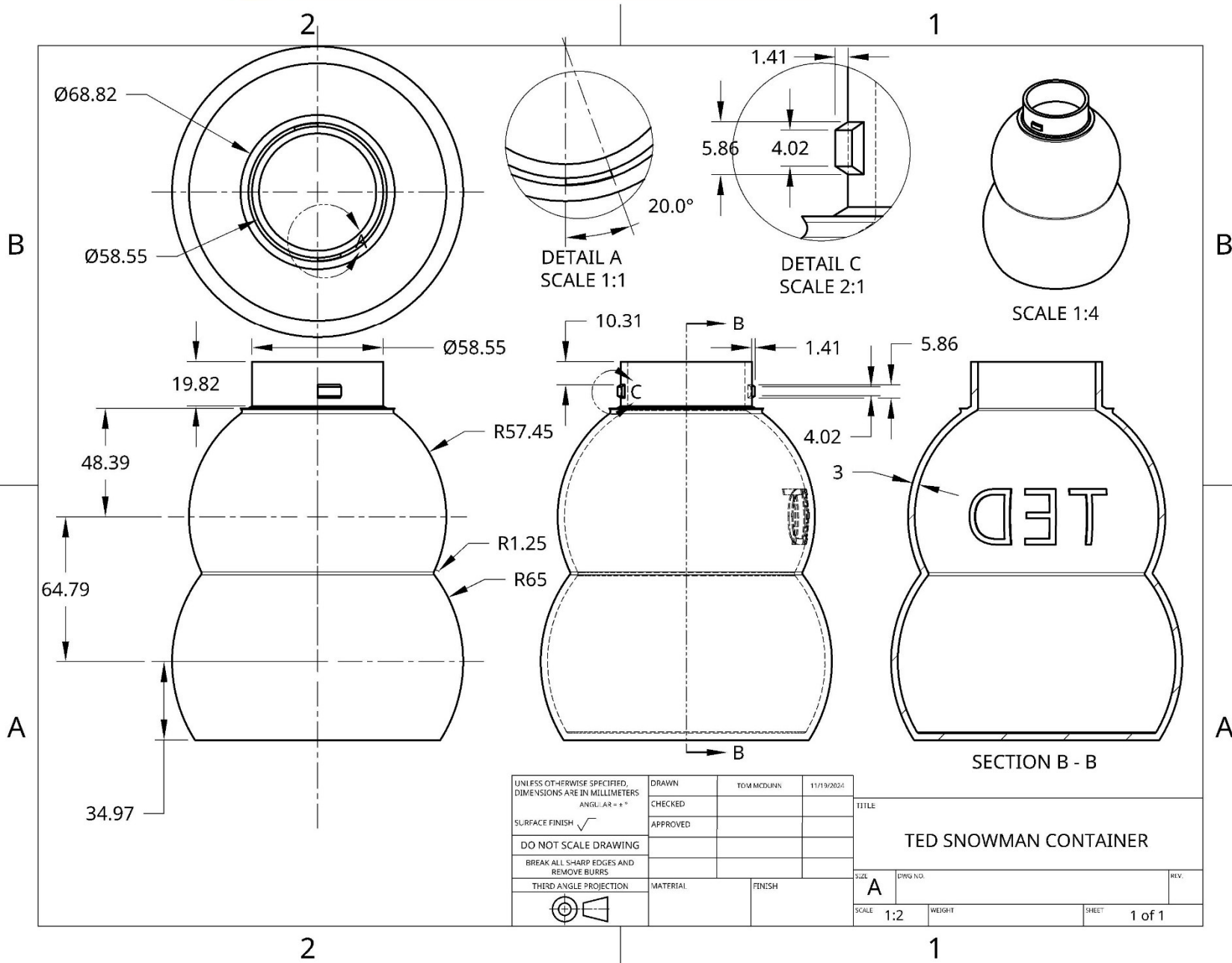
R _____

S _____



Onshape - Drawing

November 2024



UNLESS OTHERWISE SPECIFIED, DIMENSIONS ARE IN MILLIMETERS ANGULAR = °	DRAWN	TOM MCDURN	11/19/2024
	CHECKED		
	APPROVED		
	DO NOT SCALE DRAWING		
BREAK ALL SHARP EDGES AND REMOVE BURRS			
THIRD ANGLE PROJECTION	MATERIAL	FINISH	

TITLE		
TED SNOWMAN CONTAINER		
SIZE	DWG NO.	REV.
A		
SCALE	WEIGHT	SHEET
1:2		1 of 1